



AVK GATE VALVE, FLANGED, PN10/16

06/70-003

EN 558-2 S.14/DIN F4, replaceable stem sealing, NBR, DN40-600

AVK gate valves are designed with built-in safety in every detail and with full traceability of vital valve components. The wedge is fully vulcanized with AVK's own oil and gas resistant NBR rubber compound. It features an outstanding durability due to the ability of the rubber to regain its original shape, the double bonding vulcanization process and the sturdy wedge design. The triple safety stem sealing system replaceable under pressure, the high strength stem and the thorough corrosion protection safeguard the unmatched reliability.

Product description:

Flanged gate valve EN 558-2 S.14/DIN F4. For gas -10°C to +60°C

Standards:

- Designed according to EN 13774, Designed acc. to EN1171 (Max operating pressure to PED specified in the Ref. nos. & dim. table)
- Face-to-face dimension according to EN 558 Table 2 Basic Series 14
- Standard flange drilling to EN1092-2 (ISO 7005-2), PN10/16

Test/Approvals:

- Hydraulic test to DIN 3230-5, PG 3 and EN 13774
- Seat: 1.1 X PN and 0.5 with air (in bar). Body: 1.5 X PN with water, 1.1 X PN and 0.5 with air (in bar)
- Approved according to DIN-DVGW Certificate NG-4313BO0281
- Approved according to DVGW EC Certificate CE-0085BO0317
- Approved according to KIWA Certificate 65139/05
- Approved according to ÖVGW Certificate G 2.711
- Approved according to SVGW Certificate No. 08-068-5

Features:

- Fixed, integral wedge nut prevents vibration and ensures durability
- Wedge fully vulcanized with NBR rubber and equipped with wedge shoes to provide smooth operation
- Wedge and body guide rails ensure stable operation
- Stainless steel stem with wedge stop and rolled threads for high strength
- Full circle thrust collar provides fixation of the stem and low free running torques
- Triple safety stem sealing with an NBR wiper ring and four NBR O-rings in a stem seal nut of dezincification resistant brass replaceable under pressure
- An NBR rubber manchette is the main seal to the flow
- Round NBR bonnet gasket fixed in a recess
- Countersunk and sealed stainless steel bonnet bolts encircled by the bonnet gasket
- Full bore
- Low operating torque
- Fusion bonded epoxy coating in compliance with DIN 3476 part 1 and EN 14901
- DN 450-600 are fitted with stainless steel roller bearings providing low operating torques, ISO top flange F14 and eye lifting bolts
- Max operating pressure to PED is specified in the dimension table

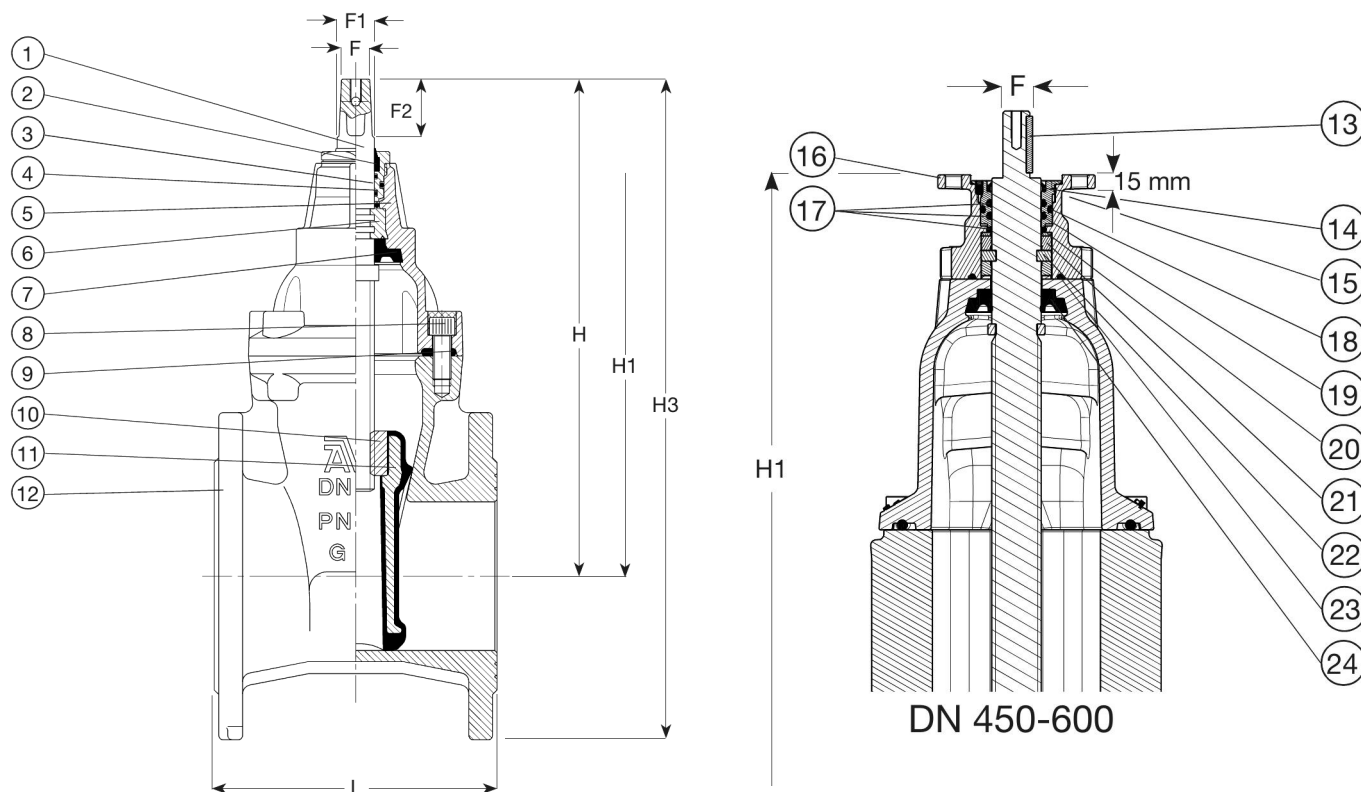
Accessories:

Stem cap, handwheel, extension spindle, street cover and flange adaptor



Expect... **AVR**

The designs, materials and specifications shown are subject to change without notice. This is due to the continuous development of our product programme.



Component list:

1. Stem	Stainless steel 1.4104 (430F)	13. Key	Stainless steel A2
2. Wiper ring	NBR rubber	14. Wiper ring	NBR rubber
3. Stem seal nut	Brass, DZR CW602N	15. Bolt	Stainless steel A2
4. O-ring	NBR rubber	16. Gland flange	Ductile iron
5. Bonnet	Ductile iron GJS-500-7 (GGG-50)	17. O-ring	NBR rubber
6. Thrust collar	Brass, DZR CW602N	18. O-ring	NBR rubber
7. Manchette	NBR rubber	19. Stem seal nut	Brass, DZR CW602N
8. Bonnet bolt	Stainless steel A2, sealed with hot melt	20. Thrust washer	Stainless steel 1.4104 (430F)
9. Bonnet gasket	NBR rubber	21. Roller bearing	Stainless steel
10. Wedge nut ⁽¹⁾	Brass, DZR CW626N	22. Thrust collar	Stainless steel 1.4104 (430F)
11. Wedge	Ductile iron, NBR encapsulated	23. O-ring	NBR rubber
12. Body	Ductile iron GJS-500-7 (GGG-50)	24. Manchette	NBR rubber

Components may be substituted with equivalent or higher class materials without prior notification.

1) DN450-600: ECO BRASS, DZR CW724R

Reference nos. and dimensions:

AVK ref. no.	DN mm	Flange drilling	PED PS bar	L mm	H mm	H1 mm	H3 mm	F mm	F1 mm	F2 mm	Theoretical weight/kg
06-040-70-01237	40	PN10/16	16	140	246	-	321	14	17	29	10
06-050-70-01237	50	PN10/16	16	150	246	-	329	14	17	29	10
06-065-70-01237	65	PN10/16	16	170	271	-	364	17	20	34	13
06-080-70-01237	80	PN10/16	16	180	402	-	302	17	20	34	15
06-100-70-01237	100	PN10/16	16	190	334	-	444	19	22	38	22
06-125-70-01237	125	PN10/16	16	200	376	-	501	19	22	38	27
06-150-70-01237	150	PN10/16	16	210	453	-	596	19	22	38	36
06-200-70-00237	200	PN10	15	230	567	-	737	24	28	42	52
06-200-70-01237	200	PN16	15	230	567	-	737	24	28	42	54
06-250-70-00237	250	PN10	12	250	664	-	864	27	31	47	79
06-250-70-01237 ⁽¹⁾	250	PN16	12	250	664	-	864	27	31	47	80

The designs, materials and specifications shown are subject to change without notice. This is due to the continuous development of our product programme.

Reference nos. and dimensions:

AVK ref. no.	DN	Flange	PED PS	L	H	H1	H3	F	F1	F2	Theoretical weight/kg
	mm	drilling	bar	mm	mm	mm	mm	mm	mm	mm	
06-300-70-00237	300	PN10	10	270	740	-	968	27	31	47	116
06-350-70-00337 (1)	350	PN10	8.5	290	912	-	1172	32	37	55	220
06-350-70-01337 (1)	350	PN16	8.5	290	912	-	1172	32	37	55	220
06-400-70-00337 (1)	400	PN10	7.5	310	939	-	1229	32	37	55	240
06-400-70-01337 (1)	400	PN16	7.5	310	939	-	1229	32	37	55	240
06-450-70-01337 (2)	450	PN16	7	330	1158	1087	1478	30	-	75	487
06-500-70-00337 (2)	500	PN10	7	350	1133	1062	1491	30	-	75	559
06-500-70-01337 (2)	500	PN16	7	350	1133	1062	1491	30	-	75	559
06-600-70-00337 (3)	600	PN10	7	390	1276	1205	1696	30	-	75	762
06-600-70-01337 (3)	600	PN16	7	390	1276	1205	1696	30	-	75	762

(1) Not ÖVGW approved
 (2) With F14 top flange. Not ÖVGW approved
 (3) With F14 top flange. Not ÖVGW nor SVGW approved